

Roll No.

--	--	--	--	--	--	--	--	--	--

B.E / B.Tech (Full Time) DEGREE END SEMESTER EXAMINATIONS, NOV / DEC 2012

Electronics and Communication Engineering
III Semester
EC9202 – Electronic Circuits I
(Regulation 2009)

Time : 3 Hours

Answer ALL Questions

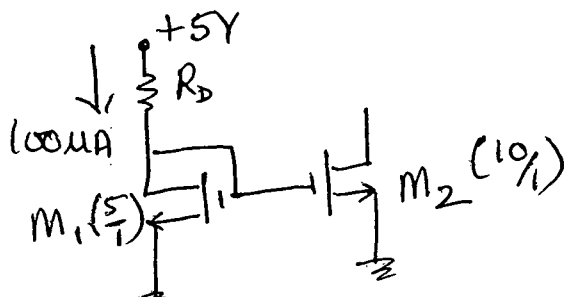
Max. Marks 100

PART-A (10 x 2 = 20 Marks)

1. Define CMRR of a differential amplifier.
2. What is the design consideration that has to be met to maintain thermal stability of BJT self Bias circuit.
3. Write the drain Current expression of NMOS, operating in triode region.
4. Define the critical Voltages V_{IL} and V_{IH} of a Logic inverter.
5. A Common base amplifier has maximum gain of 125 and R_{in} is approximately equal to 26Ω . Find the Value of R_C . [$R_L = \infty$ and $R_S = 0$]
6. Briefly write about class D power amplifier.
7. Draw CMOS Common drain amplifier with PMOS driver and depletion NMOS as active load.
8. Calculate the minimum Value of V_{DD} required to cause pinch off in the circuit shown. $I_{DSS} = 10\text{mA}$ and $V_{GS} = -4\text{V}$



9. In a CE amplifier, $R_E = 2\text{K}$ is fully bypassed with $C_e = 4.7\mu\text{f}$. Calculate the lower cut-off frequency due to CE [Assume $g_m = 24.4 \text{ mA/V}$].
10. Find the current I_{D2} in the circuit shown.



Part – B (5 x 16 = 80 marks)

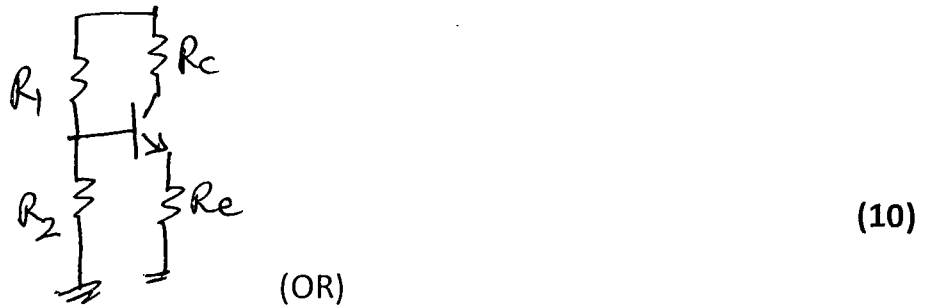
11(i) Draw a Darlington amplifier and its equivalent circuit. Derive for A_{VS} , A_{IS} , R_{IN} and R_O . (10)

(ii) Design a single stage CE amplifier with gain of -29 using Fixed Bias with $V_{CC} = 15V$ and $R_L = 10K$. & $I_{CQ} = 0.5mA$ and $h_{fe} = 100$ (6)

12(a)(i) Design the Circuit given : $I_C = 1.5mA$, $V_C = 4V$ and $h_{fe} = 100$

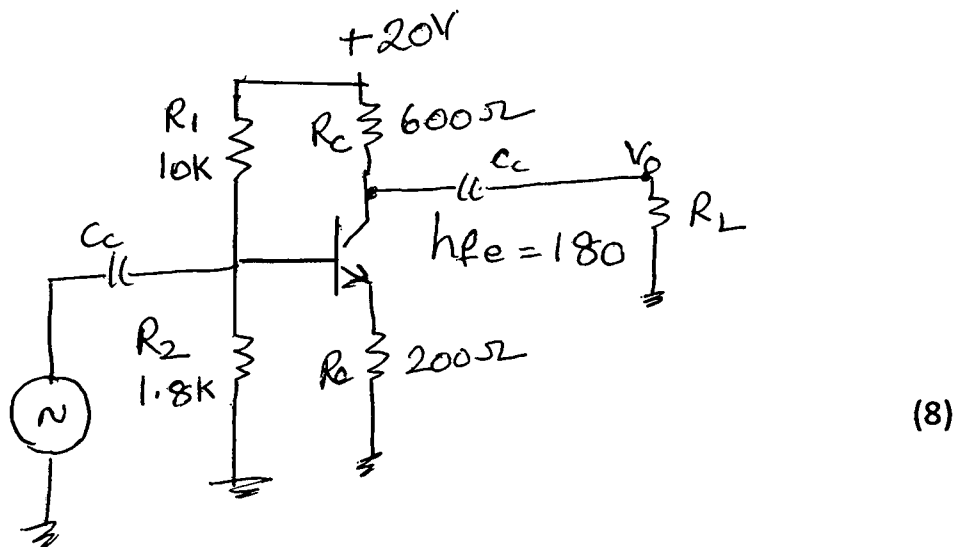


ii) For the biasing circuit shown, derive expressions for the stability factors S , S' and S''



(b) (i) Explain circuits using diodes to compensate for the changes in I_{CO} and V_{BE} (8)

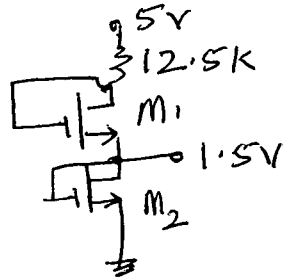
(ii) For the Circuit given find the maximum peak to peak signal when $R_L = 1.2K$



- 13 (a)(i) Draw a MOS differential amplifier with PMOS current source as active load and derive for its A_d and A_c with equivalent circuit. (10)
- (ii) Draw a Current steering circuit with one sink and one source terminal. Write the expressions for all the terminal currents in terms of the reference current. (6)

(OR)

- (b) (i) Draw a CMOS common source amplifier without feedback with NMOS driver and PMOS diode as active load (10)
- with equivalent circuit of active load derive for its offered resistance
 - with equivalent circuit of driver, derive for the Voltage gain.
- ii) Calculate width of the devices M_1 and M_2 , Given $L_1 = L_2 = 1 \mu\text{m}$ and $I_D = 120 \mu\text{A}$ $\mu_n C_{ox} = 180 \mu\text{A}/\text{V}^2$ $V_{tn} = 1\text{V}$ and $\lambda = 0$ (6)



- 14(a) (i) Draw a discrete Common drain amplifier, with its equivalent Circuit derive for its A_v , R_{IN} and R_O . (8)
- (ii) Draw the Voltage transfer curve of CMOS inverter function indicating the five regions of operation (4)
- (iii) Determine the region of operation of CMOS inverter, when $V_{in} = 1.1\text{V}$ justify your answer. Assume $V_{DD} = 2.5\text{V}$, $V_{tn} = 0.5$, $V_{tp} = -0.5$ (4)

(OR)

- (b) (i) With Voltage transfer Curve of NMOS inverter. Derive expressions for Noise margin in High and Low states. (8)
- (ii) Design an NMOS inverter with maximum power dissipation = 0.5mW $\mu_n C_{ox} = 25 \mu\text{A}/\text{V}^2$ and $V_{DD} = 5\text{V}$. $V_T = 0.8\text{V}$. Draw the load line and mark the operating point in cut-off and triode regions. (8)

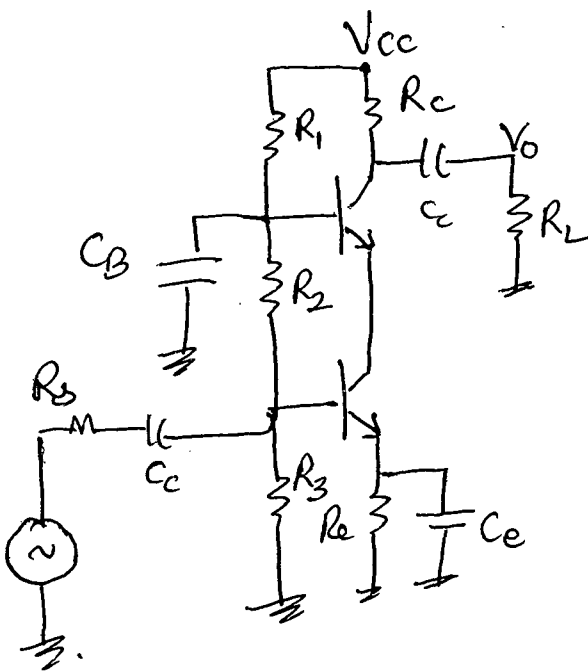
15(a) (i) Explain class B power amplifier and derive for its efficiency (10)

(ii) Design a class A transformer coupled power amplifier to deliver ac power of 5 watts to a load of 300Ω at 30% efficiency. Find ac power across the load and power dissipation. Also draw the designed circuit. Assume $V_{CC} = 20V$ and $h_{fe} = 60$ (6)

(OR)

15.(b) (i) Define and derive for f_{α} and f_{β} . (8)

(ii) For the Circuit shown calculate the midband gain and effective higher cut-off frequency. (8)



$$R_C = 9K \quad h_{fe} = 100 \text{ (both } T_{R_s})$$

$$R_E = 1K \quad h_{ie} = 5.2k$$

$$R_1 = 125K \quad C_{b'e} = 35pf$$

$$R_2 = 50K \quad C_{b'c} = 4pf$$

$$R_3 = 26K$$

$$R_s = 100\Omega \quad (8)$$

$$R_L = 90K$$