



**B.E. (FULL TIME) DEGREE END SEMESTER EXAMINATIONS, NOV/DEC2011  
FIRST SEMESTER - (REGULATIONS 2008)  
GE 9111 ENGINEERING GRAPHICS**

Time: 3 Hours

Max. Marks: 100

- Note: i) Drawings should be neat and legible  
ii) Standards should be followed for dimensioning and printing

**ANSWER ALL QUESTIONS (5x 20 = 100 Marks)**

1. Draw the following views of the component shown in Fig.1 by free hand sketching.
- i) Front view
  - ii) Top view
  - iii) Right side view and
  - iv) Left side view

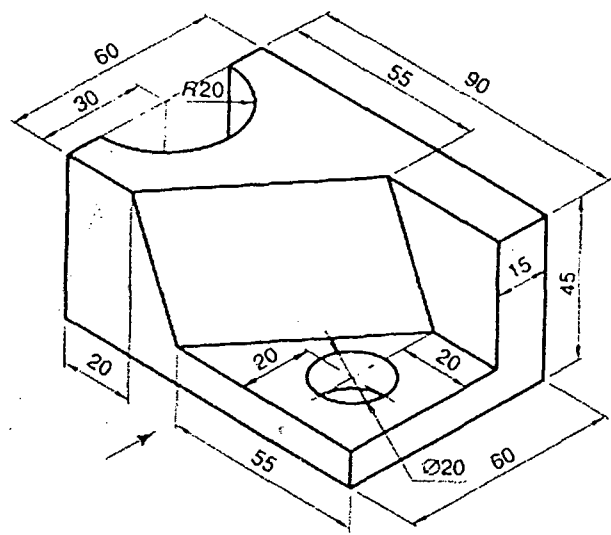


Fig.1

- 2.a The front view of a 75mm long line PQ measures 50mm, while the top view measures 60mm. If the end P of the line is 35mm above the HP and 15mm in front of the VP, draw its projections and locate the traces. Determine the true inclination of the line PQ with the HP and VP

**OR**

- 2.b A circular lamina with of 70mm diameter has a centrally punched square hole with 40mm sides. Draw its projections when one of the diagonals of the hole is parallel to the VP and inclined at 30° to the HP while the other diagonal is inclined at 45° to the VP.