





5. a) A frustum of a cone having 25 mm as top diameter 50 mm as bottom diameter and 50 mm axis length is placed vertically on a cylindrical block of 75 mm diameter and is 25 mm thick such that both the solids have the common axis. Draw the isometric projection of the combination of these solids.

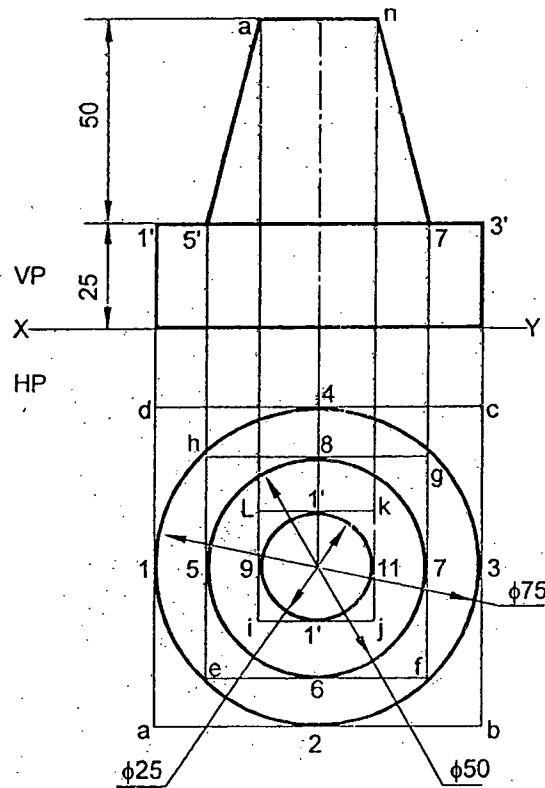


Fig. C

OR

- b) A frustum of square pyramid of base edge 26 mm and top edge 20 mm. The height of the frustum is 35 mm. It rests on its base on the ground with the base edges equally inclined to the PP. The axis of the frustum is 30 mm to the right of eye. The eye is 45 mm in front of the PP and 50 mm above the ground. The nearest base corner is 10 mm behind the PP. Draw the perspective projection of the frustum.